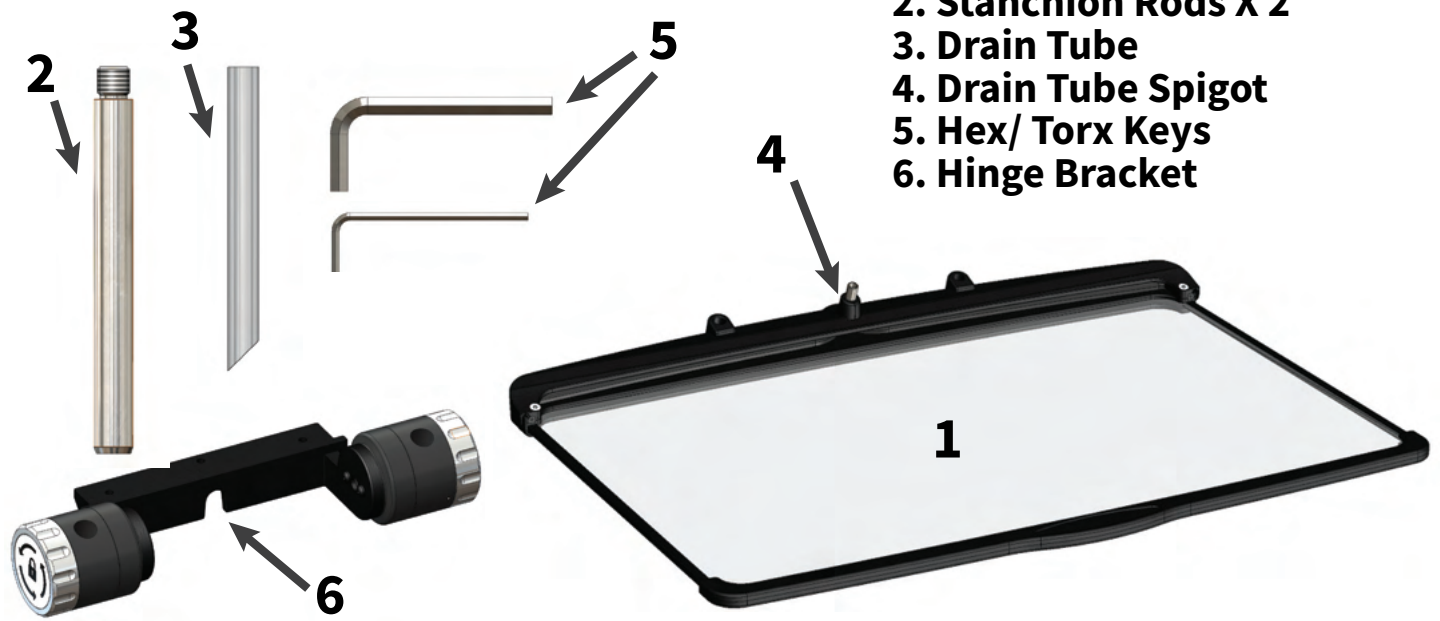


Thank you for purchasing this Glass Lid for the EcoServe GN. It is an accessory used to cover dishes of food placed on the EcoServe GN and can be adjusted according to the height of the dish being used. Please follow the use and care instructions to ensure it retains its high quality finish.



CONTENTS:



1. Glass Lid
2. Stanchion Rods X 2
3. Drain Tube
4. Drain Tube Spigot
5. Hex/ Torx Keys
6. Hinge Bracket



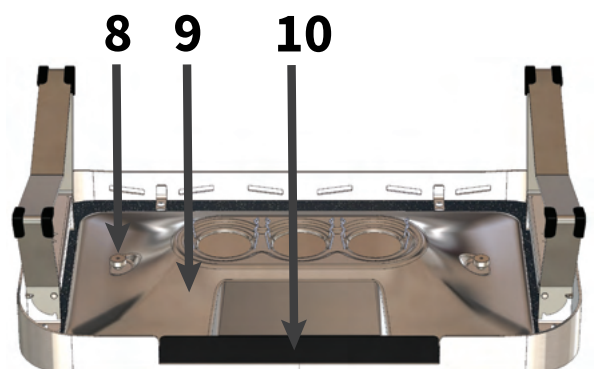
FITTING THE STANCHION RODS AND DRAIN TUBE:

1. Place the Glass Lid (1) upside down on a soft surface.
2. Screw the Stanchion Rods (2) into place.
3. Use the supplied keys (5) to tighten.
4. Push the silicone Drain Tube (3) into place on the spigot (4). The angled cut end should face up.

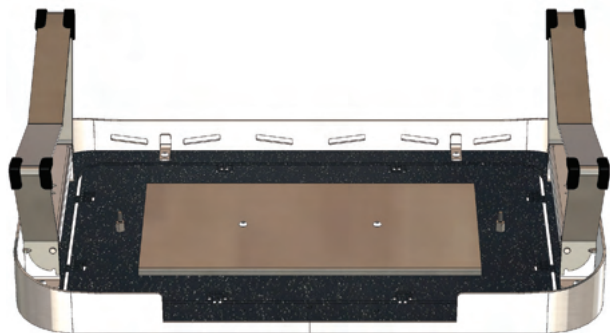
FITTING THE LID TO ECOSERVE GN:

The glass lid is now ready to be fitted to the EcoServe GN which is sold separately. Some of the images below refer to parts of the EcoServe GN.

8. Knurled Nuts
9. Hot Air Cover
10. Blanking Plate



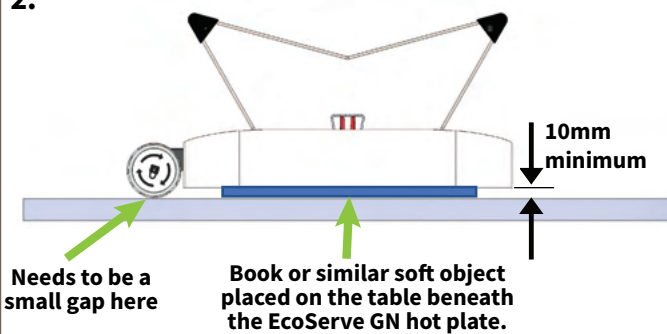
1.



1. Remove the Blanking Plate:

Place the EcoServe GN upside down on a soft surface. Undo the two Knurled Nuts (8) and remove the Hot Air Cover (9). Unscrew the Blanking Plate screws using the keys supplied. Remove the Blanking Plate (10). These screws and wings nuts will be reused to attach the hinge.

2.



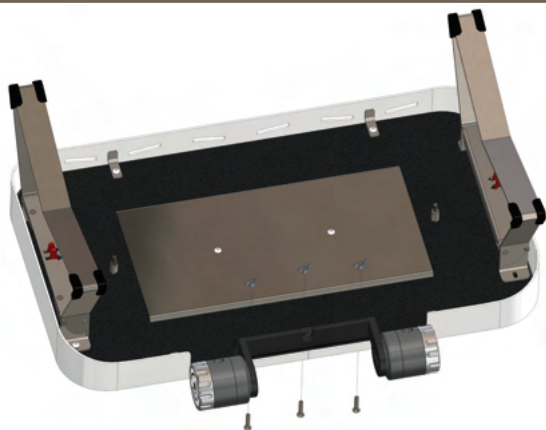
Needs to be a small gap here

Book or similar soft object placed on the table beneath the EcoServe GN hot plate.

2. Fitting the Hinge Bracket:

During fitting of the Hinge Bracket, it is essential that the EcoServe GN is raised off the table by at least 10mm to ensure the Hinge Bracket can be fitted correctly.

2b.



2b. Fit the Hinge Bracket:

Attach the Hinge Bracket (6) in place of the Blanking Plate, reusing the blanking plate screws and wing nuts provided. Do not over-tighten the screws. Replace the Hot Air Cover (9) and Knurled Nuts (8).



3.



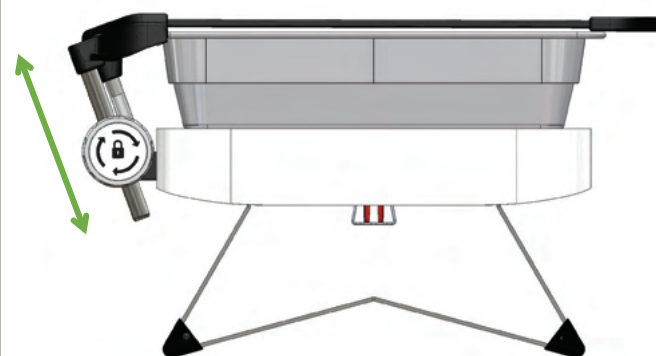
Drain Tube positioned correctly

Locking Knob

3. Fit the Lid to the Hinge Bracket:

Stand the EcoServe GN upright. Ensure both Locking Knobs are unlocked. Slide both the Stanchion Rods (2) into the holes in the Hinge Bracket. Ensure the Drain Tube (3) is positioned correctly to drain into the EcoServe GN.

4.



4. Adjust the height according to dish in use:

Open Lid. Turn both Locking Knobs anti-clockwise to unlock the Lid. The Lid is now free to move up and down. Place the dish to be used on the EcoServe GN Hot Plate. Gently lower the Lid until it is seated on or slightly above the rim of the dish. Turn the Locking Knobs clockwise to lock the Lid in place.

Please retain this leaflet for future reference.